

# IN-BENCH PITCHER RINSER INSTALLATION INTRUCTIONS



## Preparing Bench for Installing Main Body

- Remove rinser from packaging and measure the physical unit prior to cutting bench (see image #1)
- Measure to the external edge of the mounting tabs. Leave 3mm gap to allow for the mounting clips to locate correctly between the bench and mounting tabs (see Note #1)
- Ensure appropriate angles have been measured to allow for the curved corners (see Note #2)
- Cut hole in bench/counter top and place rinser into position
- Secure Rinser to the bench by installing mounting clips (a) to all mounting tabs (b ) and tighten as required (see image #2 )

**Note:** Do not cut out bench top surfaces prior to receiving your rinser: Due to slight variations in manufacturing design and the varying requirements of bench materials, it is strongly recommended to have the physical vessel rinser on-hand prior to cutting into bench top surfaces. Rhino Coffee Gear does not take responsibility for errors concerning installation and provides the sizes and dimensions as a layout guide only.

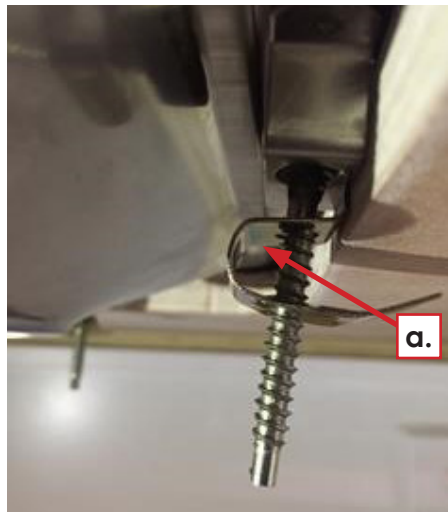
Image #1



**Note #1:** Measure distance from outer edge of rinser to the external edge of mounting clip (leaving a 3mm gap.)

**Note #2:** Allow for curved edges when measuring out corners

Image #2



# IN-BENCH PITCHER RINSER INSTALLATION INTRUCTIONS



## Connecting the Drain

- Remove the centre screw
- Identify the top-side and underside of the drain (see image #4)  
*Note: ensure the black gasket is installed on the underside of the rinser (see image #5) Locate the top section of the drain into position and insert screw*  
From the underside of the rinser, position bottom section of drain (image #7), tighten screw to secure.

Image #4

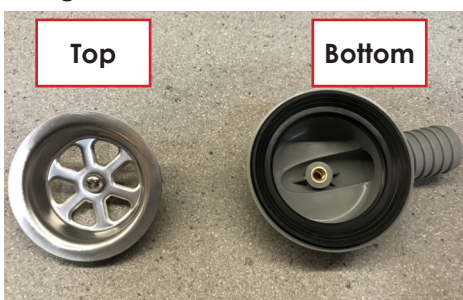


Image #5



Image #6



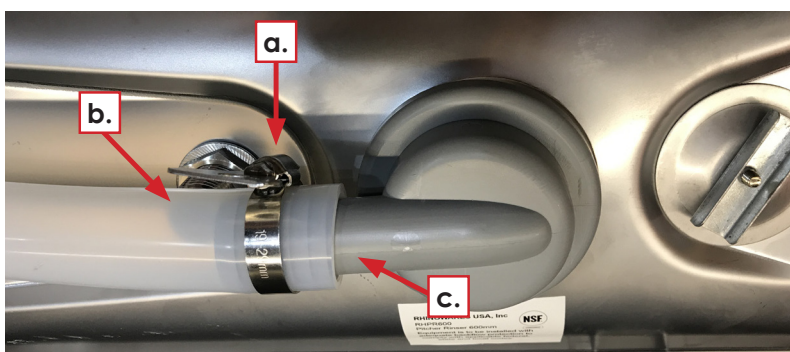
Image #7



## Connecting Drain Hose

- Place hose clamp (a) over drain tube (b)
- Push drain hose (b) over the drain barb(c)
- Tighten hose clamp (a) to secure (see Image #8)
- Run drain hose to appropriate drainage point  
*Note: always test drain is working properly and there is no leaks at points of connection or in hose prior to first use.*

Image #8



# IN-BENCH PITCHER RINSER INSTALLATION INTRUCTIONS



## Connecting Water Supply

Equipment is to be installed with adequate backflow protection to comply with applicable federal, state and local codes.

- Cold water connection only.
- Operating Pressure Range should be limited to 350 KPA or 35PSI

## Push Fit Connection

- Fasten push-fit connection to the bottom of the spray mechanism. (See image #9).  
Note: Rhino Coffee Gear also supplies an elbow connection that can be added if install requires water line to be brought in on a 90° angle.
- Connect poly tube to the spray mechanism (see image #10)
- Connect other end of hose to the water inlet

Image #9

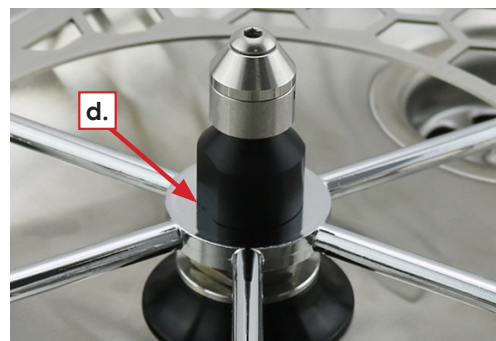
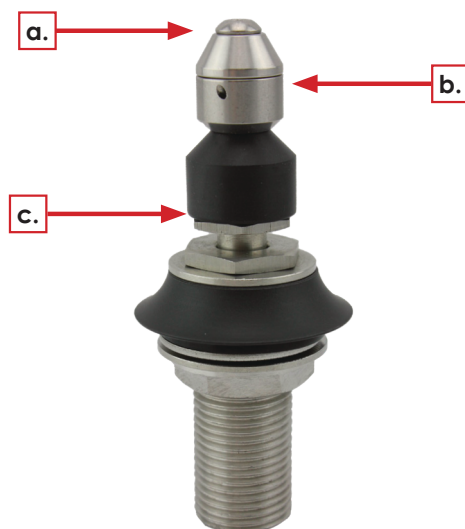


Image #10



## Spray Mechanism

- Unscrew Sprayer cap (a.) and Spray Nozzle (b.) from the Sprayer Base (c.)
- Locate Sprayer Base (c.) into position on the underside of the rinser body
- Screw Sprayer Cap (a.) onto the Sprayer Base (c.) from the top-side of the rinser body)
- Place Spray Actuator Star (d.) onto the Sprayer Cap (a.)
- Secure the Spray Actuator Ring (d.) by screwing the Spray Cap & Nozzle (a/b.) onto the Sprayer Base (c.)



# IN-BENCH PITCHER RINSER INSTALLATION INTRUCTIONS



## Final Check/ Overview

- Check that all connections for water supply and drain have been connected correctly
- Turn on water supply, check that all connections are secure and there are no leaks
- Place vessel over the spray mechanism
- Depress mechanism to test water flow

**Note:** *If any of the connections leak during testing, ensure fittings are all tight and thread tape has been applied correctly.*

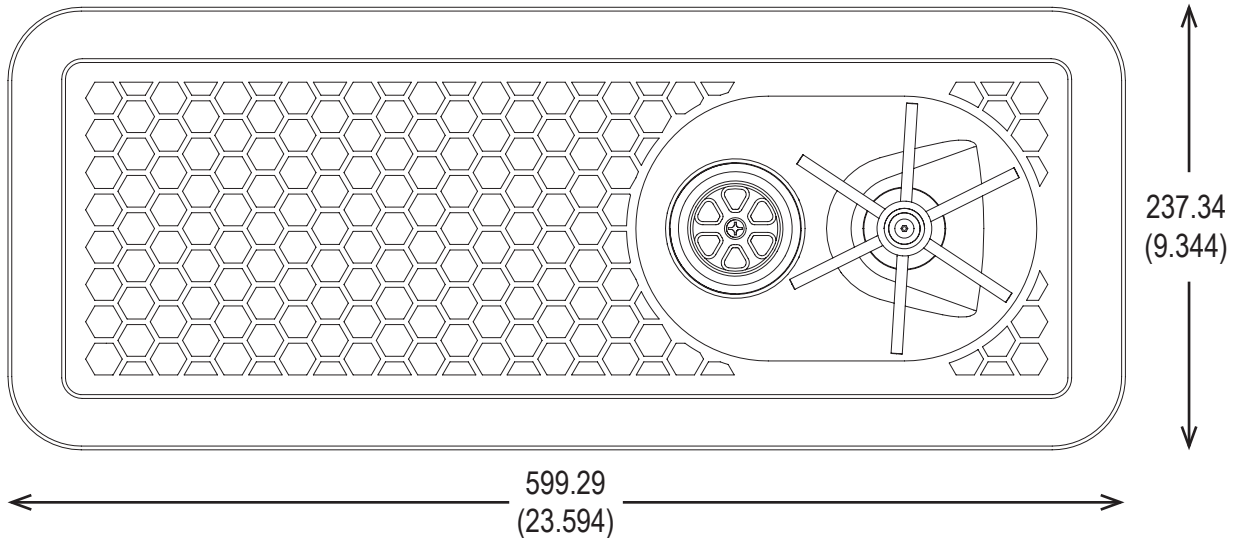


# IN-BENCH PITCHER RINSER

# INSTALLATION INTRUCTIONS



## RHPR600-S 600mm In Bench Pitcher Rinser



### Standard Inclusions

- 1 x Sink.
- 1 x Spray mechanism.
- 1 x Actuator plate.
- 1 x 3/8 inch John Guest inlet adapter .
- 4 x Mounting clips.

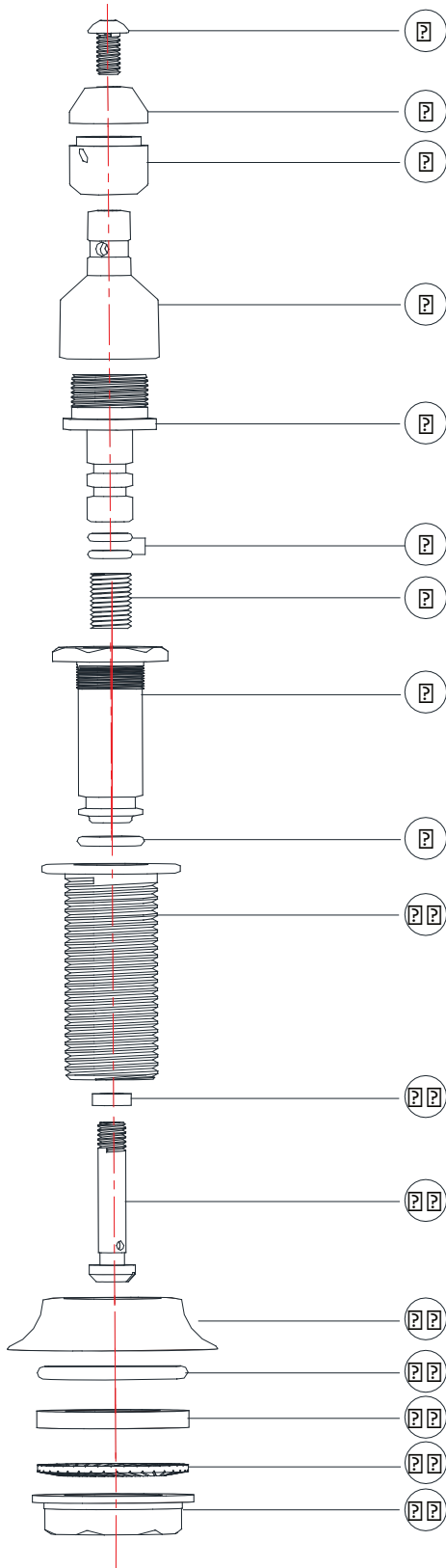
### Product Specifications & Features

- All surfaces are sloped to drain.
- 304 Stainless steel construction.
- Brushed finish sink body and polished rinser mechanism
- No sharp edges, corners are rounded for safety.
- Secure mounting with 4 mounting clips.
- For use with water temperature below 86F.
- Removable drain grate design makes cleaning easy.
- NSF certified.

# REPLACING THE O-RINGS ON RHINO PITCHER RINSER VALVES



Rinser Valve - Exploded Parts Diagram



Item	Part Name
1	Vented Cap Screw
2	Spin Barrel Cap
3	Spin Barrel Cap
4	Spin Barrel Stem
5	Spray Head Stem
6	Spray Head Stem O-Ring
7	Spray Head Stem Spring
8	Inner Valve Body
9	Inner Valve Body O-Ring
10	Outer Valve Body
11	Actuator Pin Seal
12	Actuator Pin
13	Valve Riser
14	Valve Riser O-Ring
15	Outer Valve Body Bottom Seal
16	Bottom Seal Washer
17	Valve Assembly Nut

# REPLACING THE O-RINGS ON RHINO PITCHER RINSER VALVES



## Service & Maintenance for commercial installations

We suggest the operating o-rings be replaced every 6 months (depending on use)  
See below for in-place valve removal instructions.

Note: You will need replacement part kit **(RHSPVSK-01)**

Changing the o-rings can be done while the unit is in position, there is no need to remove the entire spray mechanism from the body of the rinser.

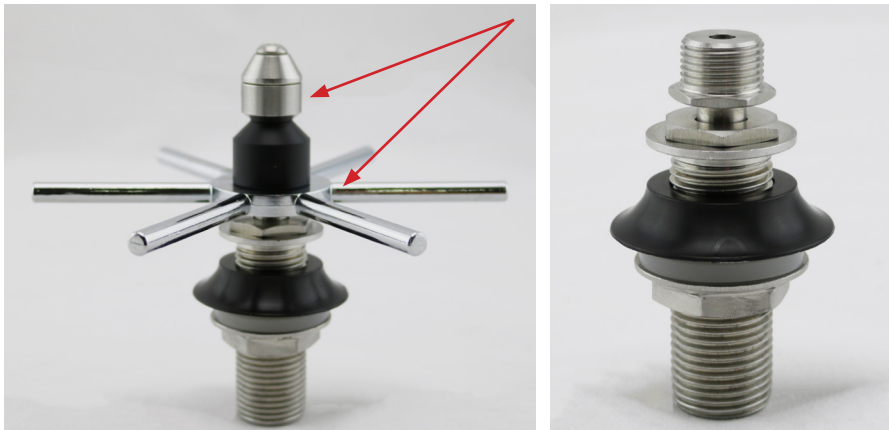
This document will outline how to:

- Remove the inner body valve from the spray mechanism
- Change the o-rings
- Reassemble

For the purposes of this information sheet we have removed the rinsing mechanism from the rinser as well as the water line.

Start off by isolating/ turning off your water supply.

Remove the spray cap/tip and actuator star, You will be left with the main body of the spray mechanism.



By unscrewing the bottom nut you can remove the inner valve body. Once the inner valve body has been removed it will expose the activation piston.



\*Note: Seals supplied may be black or clear.

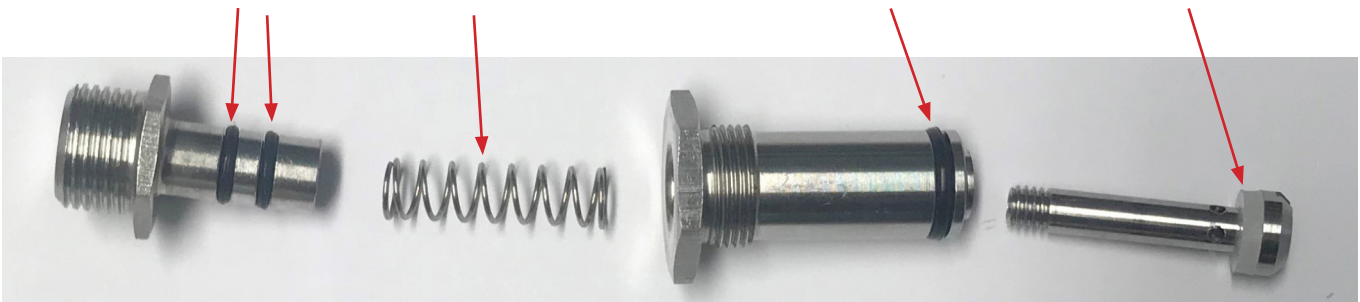
# REPLACING THE O-RINGS ON RHINO PITCHER RINSER VALVES



Using a flathead screwdriver unscrew the activation piston from the inner valve body.



Discard the old seals and replace with new



Insert the activation piston into the inner valve body, ensure that the spring is still sitting in the inner sleeve.



Locate the spray head stem. Using a flathead screwdriver, tighten activation until secure.



\*Note: Seals supplied may be black or clear.



# REPLACING THE O-RINGS ON RHINO PITCHER RINSER VALVES



Locate the inner body valve back onto the main spray mechanism and tighten.



Replace actuator plate and spray cap/tip. Reconnect fittings and waterline.



From here, you can turn on you water supply and the rinser is ready to use.

\*Note: Seals supplied may be black or clear.